



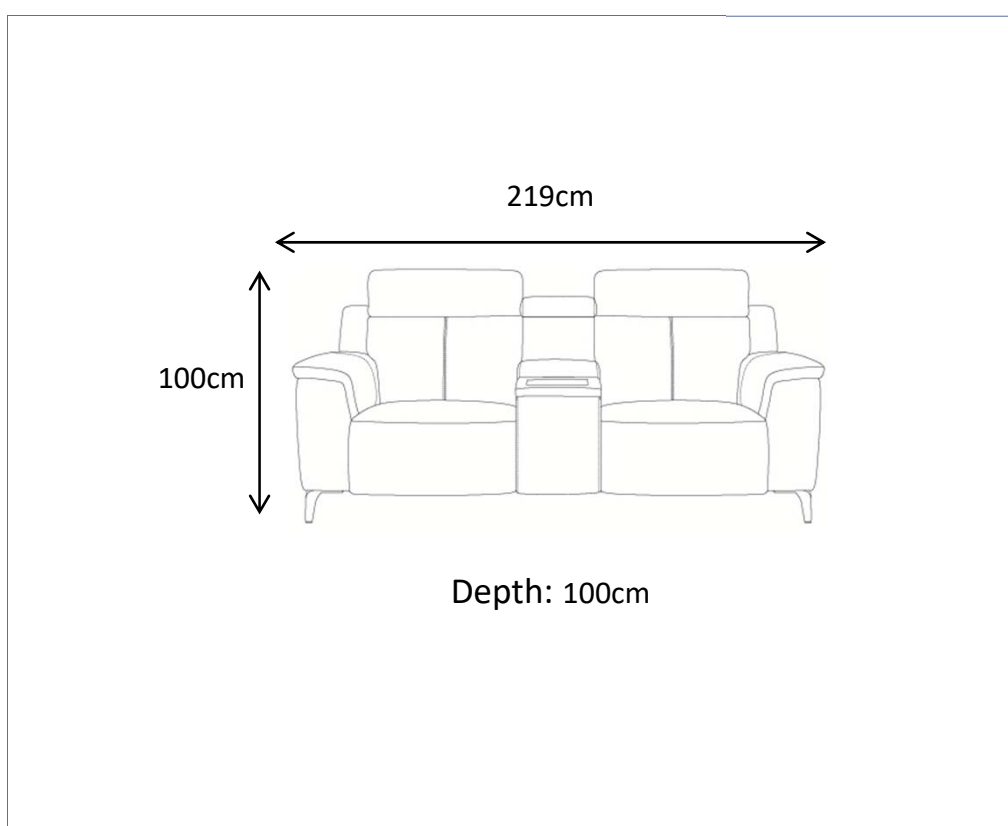
## ASSEMBLY INSTRUCTION

### ARISTOTLE 2 SEATER

ITEM CODE 69318

Imported by Amart Furniture Pty Ltd, Qld, Brisbane Australia.  
For any assistance with assembly or for missing parts please phone  
Amart Furniture, Customer Service Free call 1800 351 084

SIGNATURE  
— COLLECTION —





Imported by Amart Furniture Pty Ltd, Qld, Brisbane Australia.  
For any assistance with assembly or for missing parts please phone  
Amart Furniture, Customer Service Free call 1800 351 084

## PRE-ASSEMBLY PREPARATION

### Before you start:

1. Choose a clean, level, spacious assembly area. Avoid hard surfaces that may damage the product
2. Take care when lifting. Product should be assembled as near as possible to the point of use
3. Ensure that you have all required contents for complete assembly
4. Always read the assembly instructions carefully before beginning assembly.
5. Keep all hardware parts and packaging out of reach of small children.
6. Do not over tighten the screws and bolts as this may damage the threads

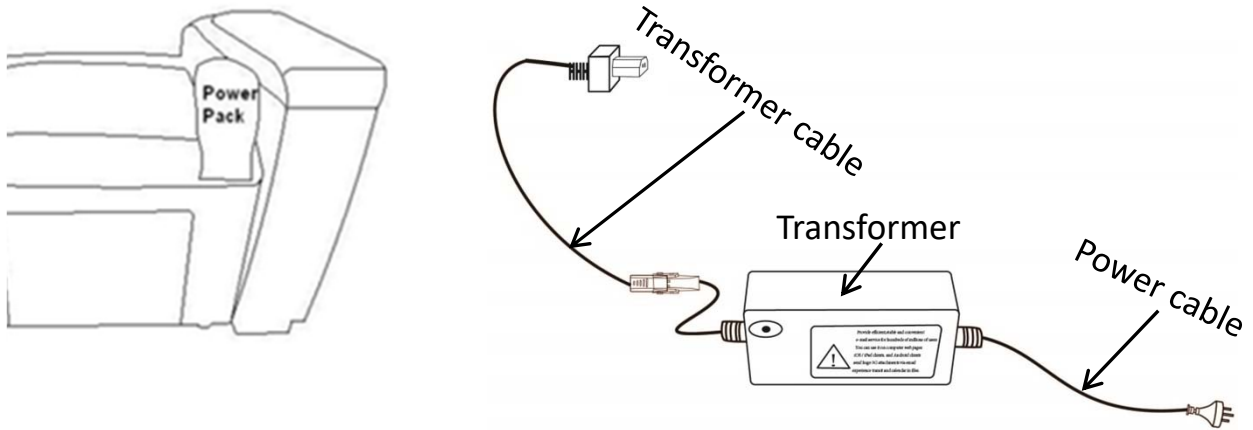
	
ALLOW 15MINUTES	PEOPLE REQUIRED
ADDITIONAL TOOLS REQUIRED	

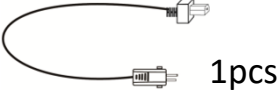
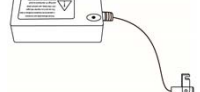

### **WARNING**

Do Not allow children to play on this mechanised furniture or operate the mechanism. Leg rest folds down on closing so that a child could possibly be injured. Always leave in an upright and closed position. Keep hands and feet clear of mechanism. Only the occupant should operate it.

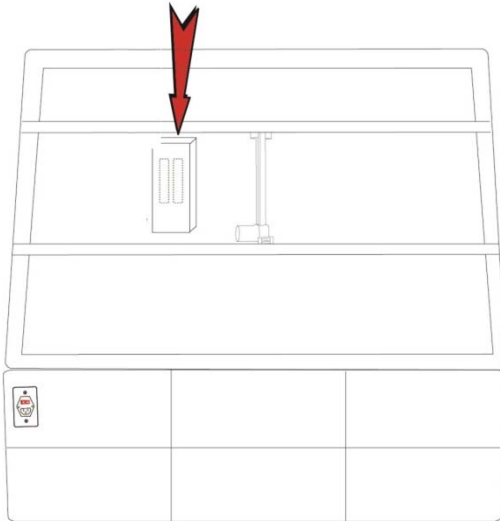
Step1: Locate power pack which is attached to the post at rear base of left hand facing electric recliner, then connect the power parts to be used at Step 6.


**Power Parts Connection**



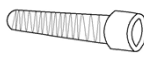



<p>Transformer cable</p>  <p>1pcs</p>	<p>Transformer</p>  <p>1pcs</p>	<p>Power cable</p>  <p>1pcs</p>
---	---	--

Step2: Locate package of metal legs with fittings which is attached to the bottom of left hand facing electric recliner.

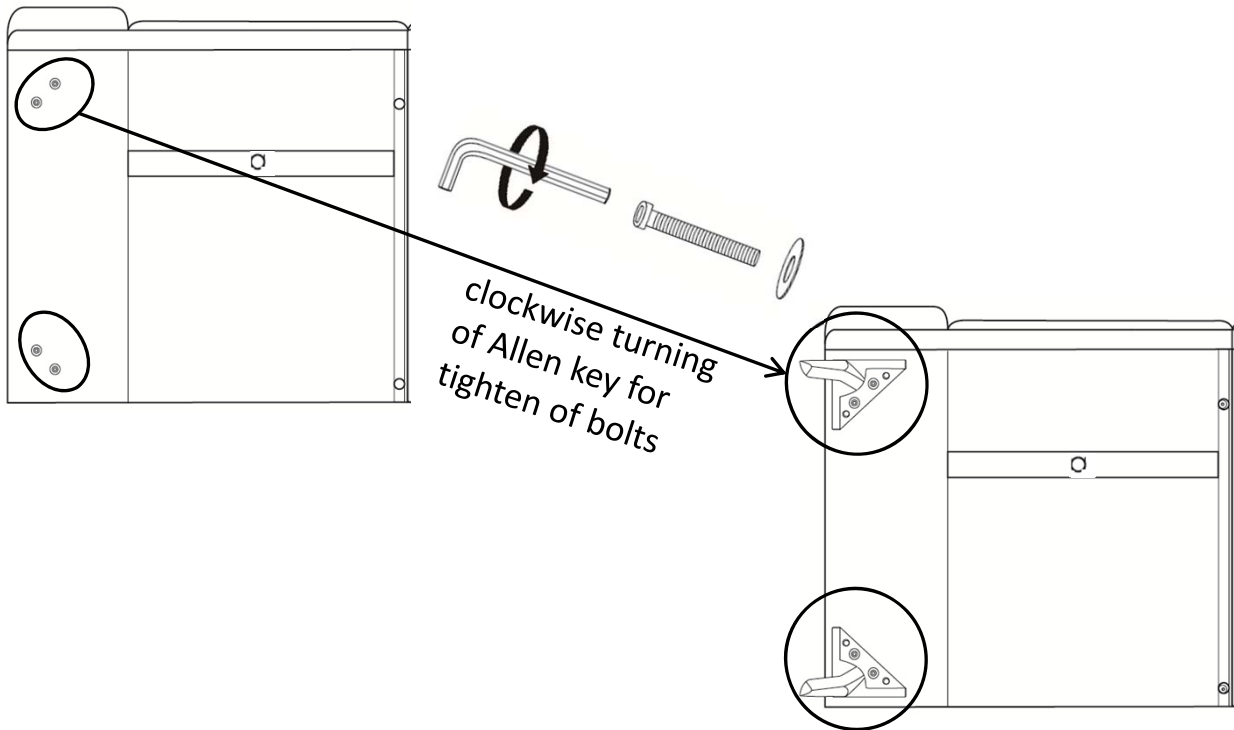




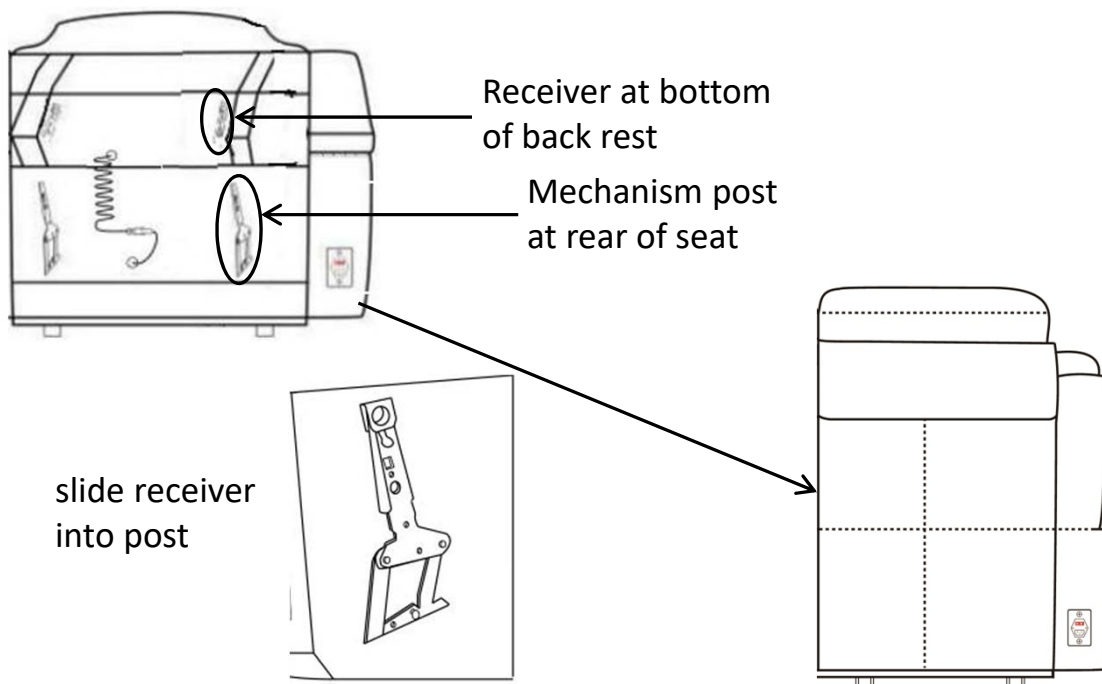
With 2 people carefully turn onto back on piece of cardboard or carpet to protect covering

<p>Bolt M8X40</p>  <p>4pcs</p>	<p>Washer</p>  <p>4pcs</p>	<p>Metal leg</p>  <p>2pcs</p>	<p>Allen key</p>  <p>1pcs</p>
---	---	--	---

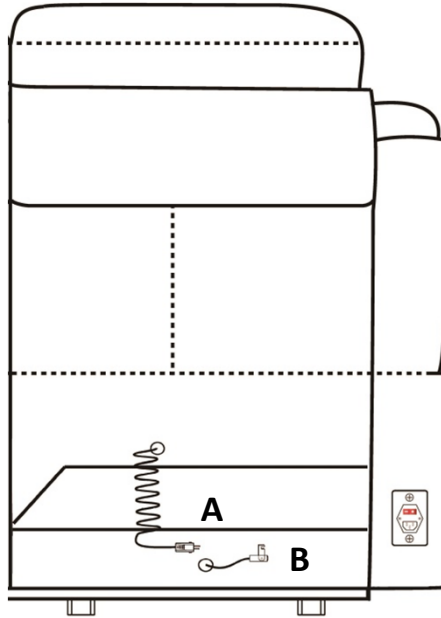
Step3: Tighten the two metal legs to the bottom of left hand facing electric recliner with bolt and washer by Allen key.



Step4: Keep back rest in upright position, then slide receivers into steel mechanism posts at the seat of the left hand facing electric recliner, and press both sides of the back firmly into place to ensure fully locked.

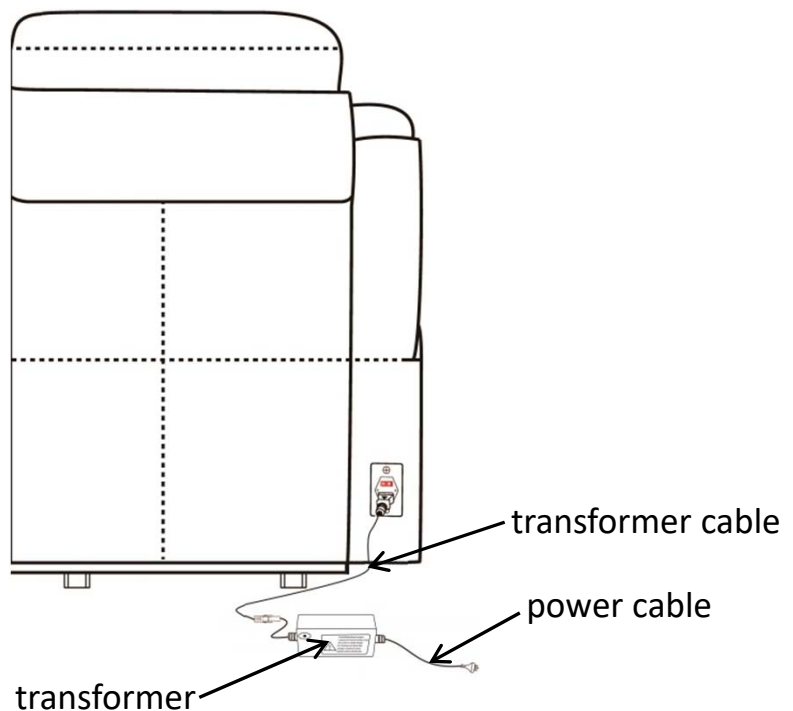


Step5: Connect the “A”, one cord from the recliner back with the “B”, one cord from the recliner seat for power connection of headrest.



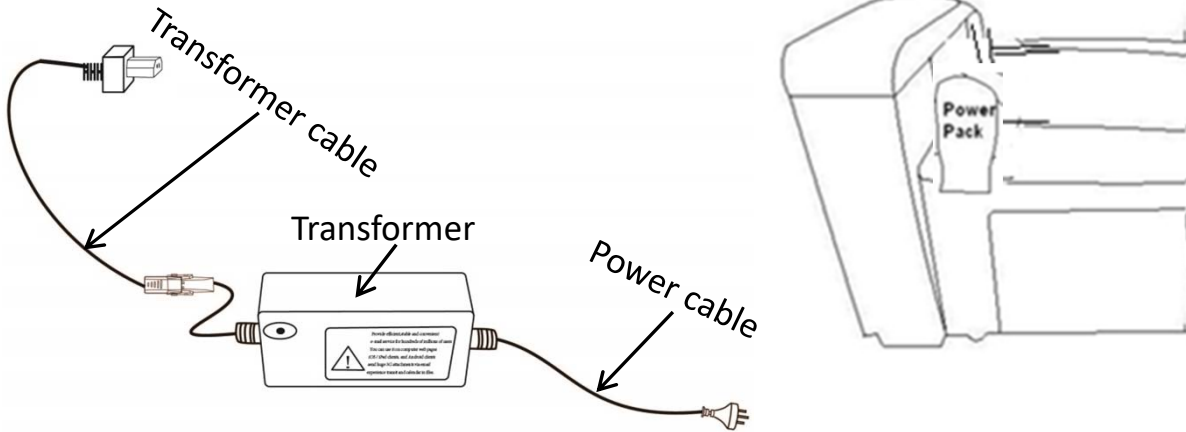
Step6: Plug power parts connection (refer to step 1) into socket at back panel of left hand facing electric recliner.

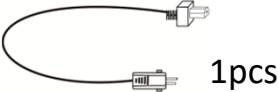
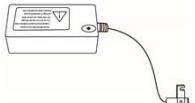

**SAFETY NOTE:  
PLEASE ENSURE  
THAT ALL  
ELECTRICAL CORDS  
AND CABLES ARE  
CLEAR OF THE  
FRAME AND  
MECHANISM. A  
FAILURE TO DO SO  
MAY SEVER YOUR  
POWER CORD  
RESULTING IN  
SERIOUS INJURY OR  
DEATH.**



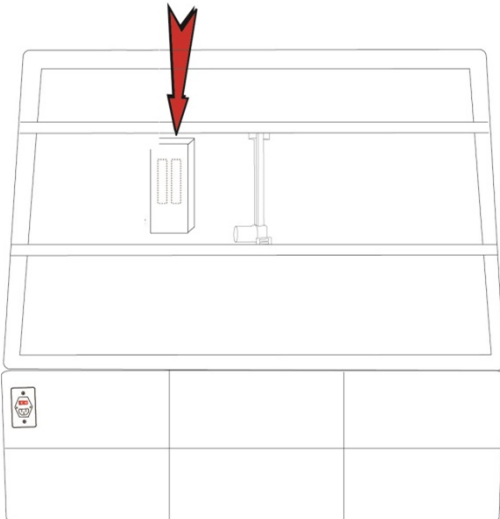
Step7: Locate power pack which is attached to the post at rear base of right hand facing electric recliner, then connect the power parts to be used at Step 12.


**Power Parts Connection**



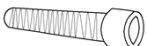


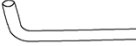
<p>Transformer cable</p>  <p>1pcs</p>	<p>Transformer</p>  <p>1pcs</p>	<p>Power cable</p>  <p>1pcs</p>
---	---	--

Step8: Locate package of metal legs with fittings which is attached to the bottom of right hand facing electric recliner.

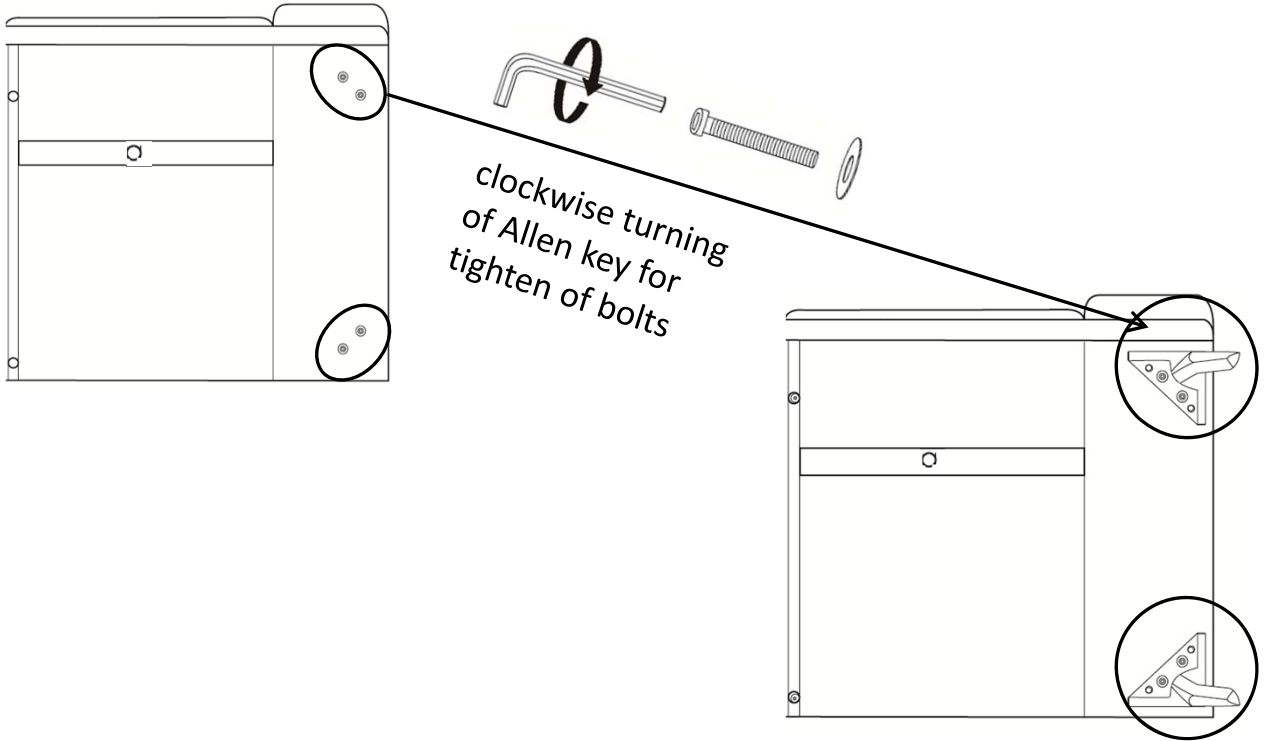




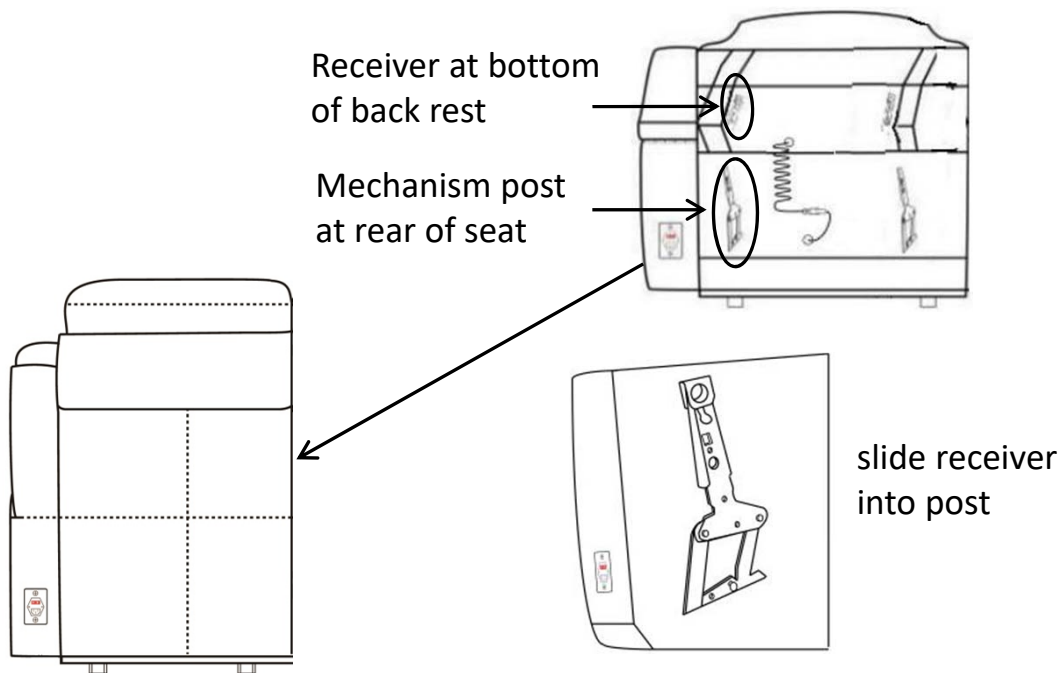
With 2 people carefully turn onto back on piece of cardboard or carpet to protect covering

<p>Bolt M8X40</p>  <p>4pcs</p>	<p>Washer</p>  <p>4pcs</p>	<p>Metal leg</p>  <p>2pcs</p>	<p>Allen key</p>  <p>1pcs</p>
---	---	--	---

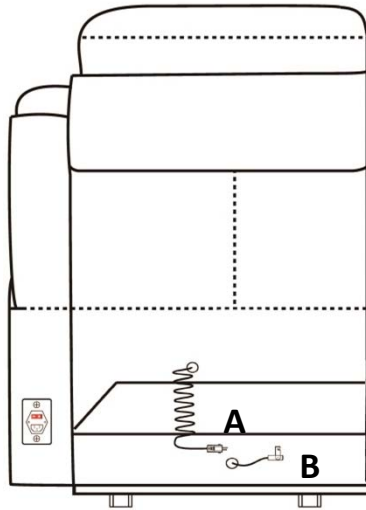
Step9: Tighten the two metal legs to the bottom of right hand facing electric recliner with bolt and washer by Allen key.



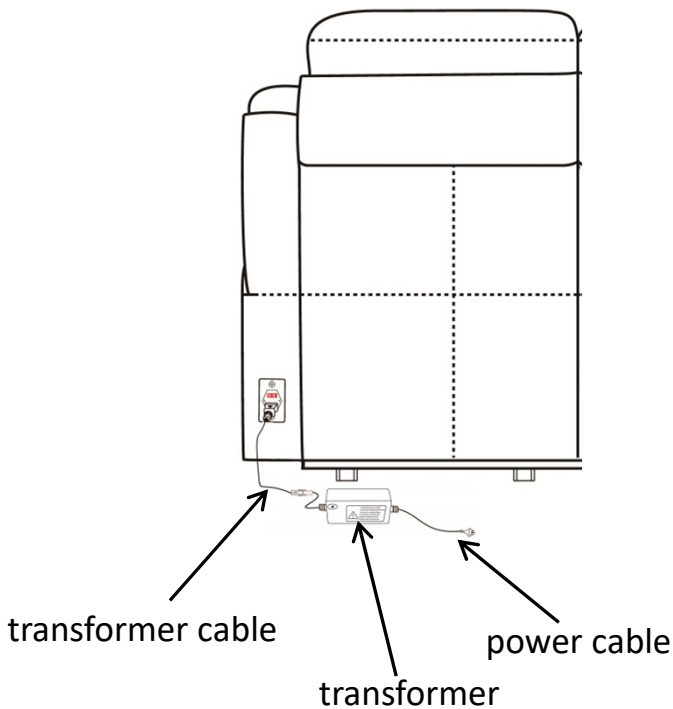
Step10: Keep back rest in upright position, then slide receivers into steel mechanism posts at the seat of the right hand facing electric recliner, and press both sides of the back firmly into place to ensure fully locked.



Step11: Connect the “A”, one cord from the recliner back with the “B”, one cord from the recliner seat for power connection of headrest.



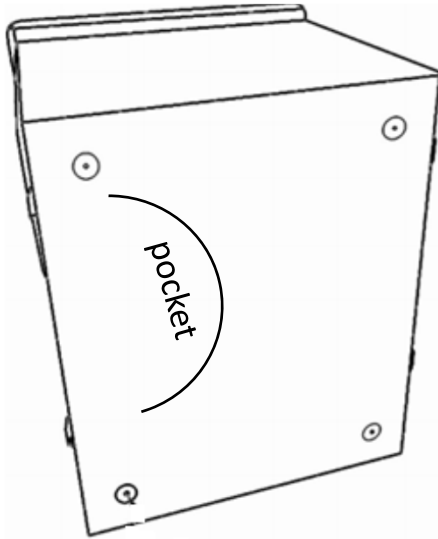
Step12: Plug power parts connection (refer to step 7) into socket at back panel of right hand facing electric recliner.




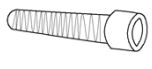

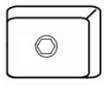
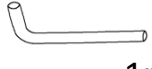
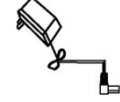
**SAFETY NOTE:  
PLEASE ENSURE  
THAT ALL  
ELECTRICAL CORDS  
AND CABLES ARE  
CLEAR OF THE  
FRAME AND  
MECHANISM. A  
FAILURE TO DO SO  
MAY SEVER YOUR  
POWER CORD  
RESULTING IN  
SERIOUS INJURY OR  
DEATH.**



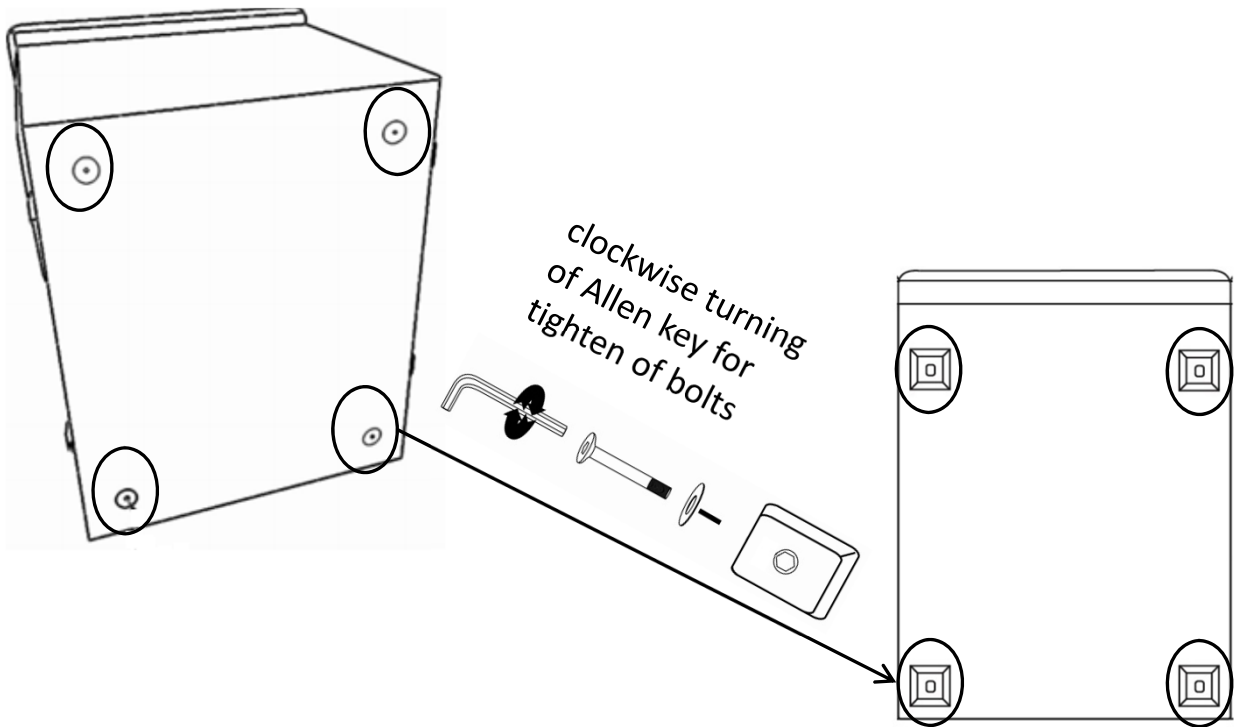
Step13: Locate package of sofa legs with fittings and power supply cable that is placed into zipper pocket at bottom of the console.



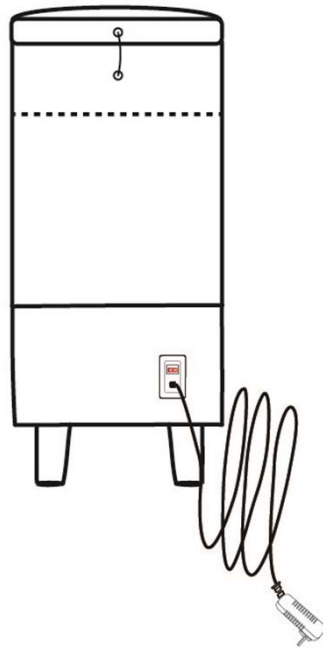
 With 2 people carefully turn onto back on piece of cardboard or carpet to protect covering

<p>Bolt M8X90 4pcs</p> 	<p>Washer 4pcs</p> 	<p>Plastic leg 4pcs</p> 	<p>Allen key 1pcs</p> 	<p>Power supply cable 1pcs</p> 
---	---	--	---	---

Step14: Tighten the four plastic legs to the bottom of console with bolt and washer by Allen key.

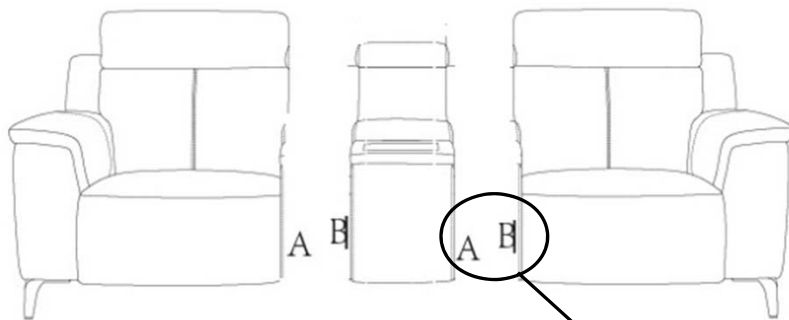


Step15: Plug power supply cable taken from zipper pocket of console (refer to step 13) into socket at back panel of the console.

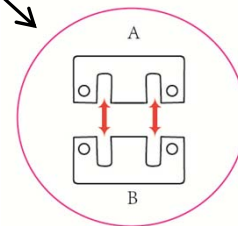


**SAFETY NOTE:**  
**PLEASE ENSURE THAT**  
**ALL ELECTRICAL**  
**CORDS AND CABLES**  
**ARE CLEAR OF THE**  
**FRAME AND**  
**MECHANISM. A**  
**FAILURE TO DO SO**  
**MAY SEVER YOUR**  
**POWER CORD**  
**RESULTING IN**  
**SERIOUS INJURY OR**  
**DEATH.**

Step16: Connect the 3 pieces of 2 Seater with console from right to left. Begin with right hand facing electric recliner, then console, final piece is left hand facing electric recliner.



slide clips at connecting item into clips at connected item, then together press front and rear side of connecting item to ensure the clips go into each other to the bottom.



## **READ THESE INSTRUCTIONS THOROUGHLY BEFORE USE:**

### **DANGER:** TO REDUCE THE RISK OF ELECTRIC SHOCK:

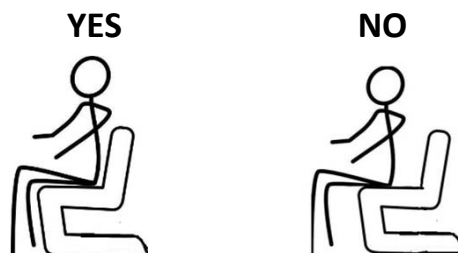
Always unplug from electric outlet before cleaning.

### **WARNING:** RISK OF INJURY

Keep children away from extended footrest and any moving parts.

### **CAUTION:**

- Do not allow children to play on this electric recliner or operate the powered mechanism. The leg rest folds when closing and could possibly cause injury to a child. Always leave the recliner in an upright and closed position when not in use. Keep hands and feet clear of mechanism. Only the occupant should operate it.
- Do ensure fully enter the normal sitting position before using of the recliner. Improper sitting, such as sitting in the front of recliner may result in damage to both mechanism and motor drive bar.



### **POWER CORD SAFETY**

**WARNING:** Unplug and remove power cord from wall when not in use and store out of reach of children.

Take care when moving recliner that wall and transformer cords are not under the base or they may get damaged.

**- NEVER OPERATE ELECTRIC RECLINER IF IT HAS A DAMAGED CORD OR PLUG.**

**WARNING:** TO REDUCE RISK OF BURNS, FIRE, ELECTRIC SHOCK OR PERSONAL INJURY TO PERSONS:

- Use only for its intended purpose
- Never press or activate control switch if you are not seated in recliner
- Only the occupant should activate the control switch
- Never operate with more than one person occupying seat
- Never sit or stand on the footrest

## **CARE AND MAINTENANCE**

### **LEATHER**

WHEN NECESSARY BRUSH OR VACUUM AWAY DUST AND GRIT. WIPE OVER WITH A SOFT, CLEAN, DYEFAST CLOTH.

FOR SPOTS AND SPILLS:  
WIPE EXCESS LIQUID UP IMMEDIATELY WITH AN ABSORBANT CLOTH OR SPONGE.

FOR OVERALL CLEANING:  
WE RECOMMEND CLEANING EVERY 3-4 MONTHS WITH  
· LEATHER CLEANER FOLLOWED BY APPLICATIONS OF  
· LEATHER PROTECTOR.  
ALWAYS FOLLOW DIRECTIONS ON PACKS.

NOTES:  
ACCUMULATION OF PERSPIRATION AND BODY OILS ON ARMPADS, HEADREST ECT. MAY DAMAGE YOUR LEATHER - THESE AREAS MAY REQUIRE MORE FREQUENT CLEANING.

DO NOT EXPOSE LEATHER TO DIRECT SUNLIGHT; INTENSIVE HEAT; WEATHER; OR SOAK UNNECESSARILY. ALWAYS AVOID EXCESSIVE HARD RUBBING.

DO NOT DRY CLEAN OR MACHINE WASH.

DO NOT USE SADDLE SOAP; DETERGENTS; SOLVENTS; ABRASIVES; UNIDENTIFIED LEATHER CLEANERS; SUEDE CLEANERS OR ANY PRODUCTS CONTAINING SILICON OR SOLVENTS.